

KAB//Seating

200 Series

KAB AIR 254



KAB 214



KAB AIR 254

ENTER THE COMFORT ZONE

www.kabseating.com

KAB//Seating

200 Series

Low profile Air and Mechanical seating for the forklift and ride-on mower sectors

Features	Air 254	214
Manual air valve with weight adjustment (50-120kgs)	●	
Mechanical weight adjustment in 5 steps (50-120kgs)		●
Seat tilt adjustment	●	○
Backrest angle adjustment 10° in 3 increments	●	○
Fore and aft adjustment in 15mm increments	210mm	195mm
50mm vertical suspension stroke	●	●
12 or 24 volt integral compressor	●	
Seat belt	○	○
Hip guards	○	○
Armrests (50/70mm wide)	○	○
Heater elements	○	○
Seat sensor switches	○	○
Vehicle immobiliser switch	○	○
Seat belt (anchorage to ISO 3776)	●	●
Water resistant and draining facility (PVC only)	○	○
Range of fabric or PVC trims	○	○

- Standard
- Optional

Distributor

England - KAB Seating Ltd

Tel: +44 (0) 1604 790500 E.mail: marketing@kabseating.com
www.kabseating.com

Australia - KAB Seating Pty. Ltd

Tel: +61 (0) 7 3275 7500 E.mail: enquiries@kabseating.com.au

Belgium - KAB Seating SA

Tel: +32 (0) 2 3661742 E.mail: info@kabseating.be

France - KAB Seating

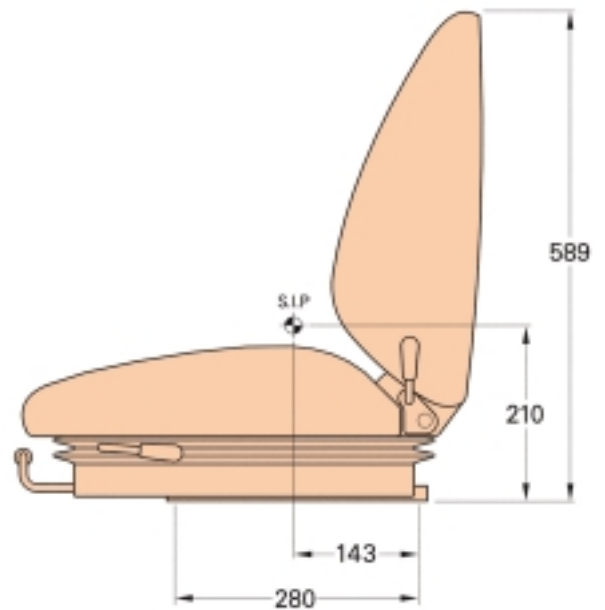
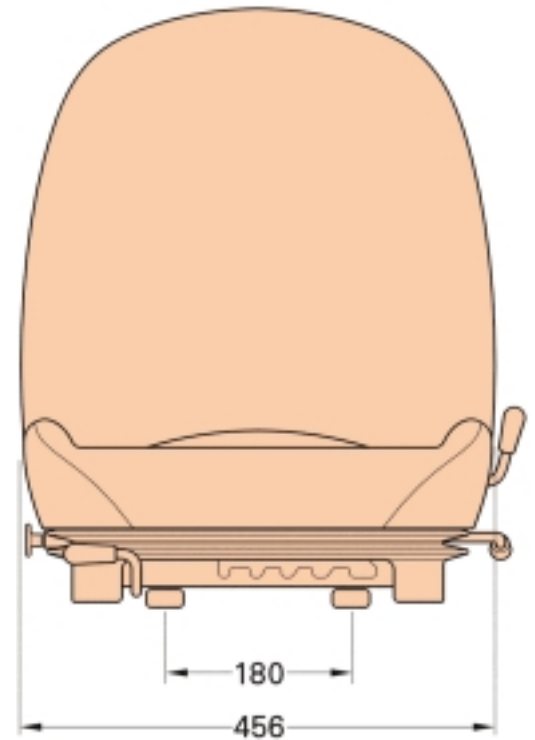
Tel: +33 (0) 1 40 92 97 40 E.mail: info@kabseating.fr

North America - KAB Seating

Tel: +1 800 354 9621 E.mail: kabseating@nationalseating.com

Sweden - KAB Seating AB

Tel: +46 (0) 8 550 343 30 E.mail: office@kabseating.se



- SIP to ISO 5353.
- Dimensions at mid suspension stroke, middle height adjustment and at mid sliderail adjustment.
- Indicative dimensions
- Air 254 shown

The Air 25 and 21 mechanical are modular suspensions which can also be used with a wide variety of high back/low back seat uppers and pans.

For further details contact your local KAB office.