

KAB//Seating

500 Series



KAB 514
KAB 524

KAB AIR 554



ENTER THE COMFORT ZONE

www.kabseating.com

KAB//Seating

500 Series

Air and mechanical suspension seating for the construction, truck and marine sectors

Features	Air 554	514	524
Air suspension (Manual Air Valve)	●		
Air suspension with 12v or 24v integral compressors	●		
Mechanical suspension		● 2 Springs	● 4 Springs
100mm vertical suspension stroke (4")		●	●
125mm vertical suspension stroke (5")	●		
60mm height and tilt adjustment (2½")	●	●	●
Driver weight adjustment	50-150 (110-330lbs)	50-120 (110-265lbs)	80-150 (175-330lbs)
Suspension cover	●	●	●
5 position lumbar support	●	●	●
Fore and aft adjustment of 200mm (8") 10mm increments	●	●	●
Backrest angle adjustment	●	●	●
Vibration performance to ISO 7096	●	●	●
Seat belt to ISO 6683, SAE J386 & ISO 3776 (anchorage strength 15Kn)	●	●	●
Tether belt version to SAE J386, June 1985 (anchorage strength 22Kn)	○	○	○
Seat belt widths 50mm (2") & 75mm (3")	○	○	○
Adjustable armrests (50/70/80/100mm widths)	○	○	○
Adjustable headrest	○	○	○
Cushion heaters	○	○	○
Adjustable damper	○	○	○
Double dampers	○	○	○
Seat sensor switch	○	○	○
Turntable 0° - 180°	○	○	○
Front or side controls available	○	○	○
Range of fabrics and PVC	○	○	○

● Standard ○ Optional

The KAB Air554 with tethers meets FMVSS 207/210 tests applicable for heavy trucks in North America. It also complies with M2, M3 and N2, N3 for Europe.

Distributor

England - KAB Seating Ltd

Tel: +44 (0) 1604 790500 E.mail: marketing@kabseating.com
www.kabseating.com

Australia - KAB Seating Pty. Ltd

Tel: +61 (0) 7 3275 7500 E.mail: enquiries@kabseating.com.au

Belgium - KAB Seating SA

Tel: +32 (0) 2 3661742 E.mail: info@kabseating.be

France - KAB Seating

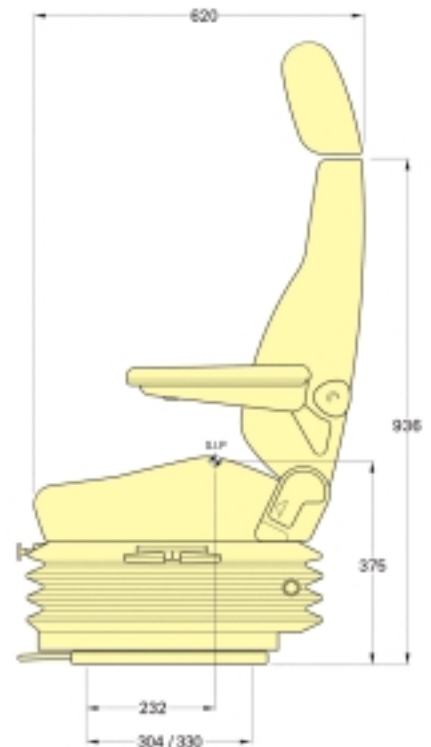
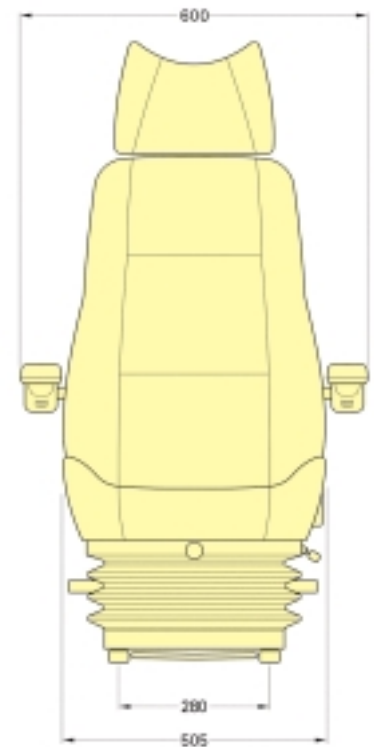
Tel: +33 (0) 1 40 92 97 40 E.mail: info@kabseating.fr

North America - KAB Seating

Tel: +1 800 354 9621 E.mail: kabseating@nationalseating.com

Sweden - KAB Seating AB

Tel: +46 (0) 8 550 343 30 E.mail: office@kabseating.se



- SIP to ISO 5353.
- Dimensions at mid suspension stroke, middle height adjustment and at mid sliderail adjustment.
- Indicative dimensions
- Air 554 shown

These models are just part of the extensive 500 series range. Other high back, low back and narrower seats are also available.

For further details contact your local KAB office.