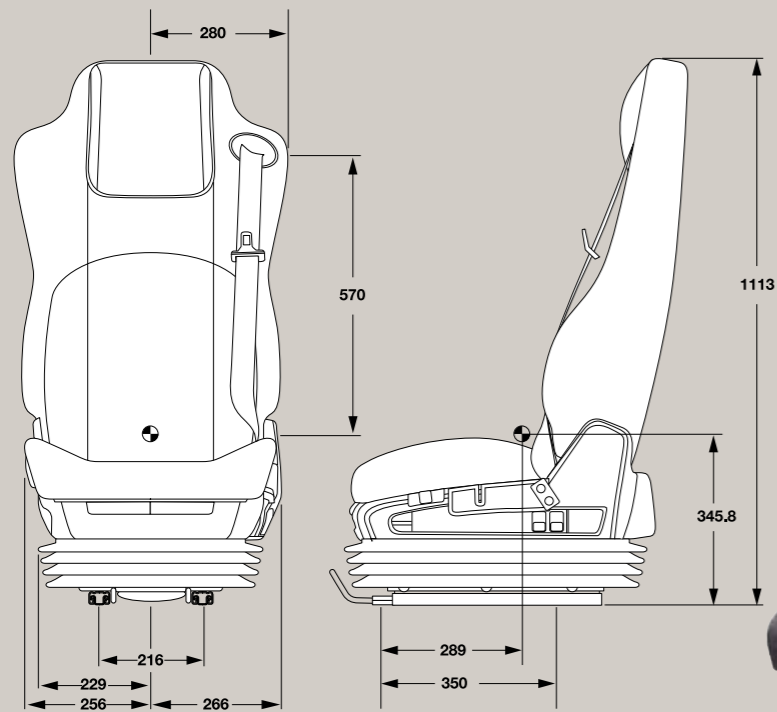


GSX 3000 DIMENSIONS



KAB//Seating



GSX3000

TRUCK AND BUS SEATING



**COMFORT & SAFETY
ON THE ROAD**

www.kabseating.com

Health and Safety

It is important that drivers are fully protected from harmful vibrations. CVG seats can eliminate up to 70% of these. Careful seat selection is important and through consultation with our network of authorised distributors the appropriate seat choice can be made to fit most popular brands of vehicles.

Installation

Should be carried out by qualified personnel only.

Maintenance

CVG provides a full range of service parts to ensure seats can be maintained properly, key wear items such as shock absorbers, seat cushions and air valves should be replaced on a regular basis in accordance with the type of usage, amount of usage and environmental factors.

Regular removal of dust and dirt from the seat and cabin will improve the longevity of the seat.

KAB UK - Kab Seating Ltd - Northampton
Tel: +44 (0) 1604 641522 E-mail: infouk@cvgrp.com
www.kabseating.com

KAB Sweden - Kab Seating AB - Stockholm
Tel: +46 (0) 8 554 427 00 E-mail: infosweden@cvgrp.com

KAB Belgium - Kab Seating SA - Saintes
Tel: +32 (0) 2 367 13 10 E-mail: infobelgium@cvgrp.com

KAB France - Sales Office - Chatillon, Paris
Tel: +33 (0) 1 40 92 97 40 E-mail: infofrance@cvgrp.com

C.I.E.B. - Kahovec, spol. s r. o.
Delnicka 53, 561 12 Brandys nad Orlici Czech Republic
Tel: +420 465 519 311 Email: cieb@cieb.cz

KAB Australia - Kab Seating Pty. Ltd - Brisbane
Tel: +61 (0) 7 3344 0500 E-mail: infoaustralia@cvgrp.com

CVG China - CVG Vehicle Components - Shanghai
Tel: +86 21 5958 5801 E-mail: infochina@cvgrp.com

CVG World Headquarters - New Albany, Ohio, USA
Tel: (614) 289-5360 E-mail: info@cvgrp.com
www.cvgrp.com

CVG National Seating USA - Vonore, Tennessee
Tel: +1 800 354 9621 E-mail: infoamerica@cvgrp.com

Distributor



KAB//Seating

enter the comfort zone

GSX 3000

COMFORT & SAFETY ON THE ROAD



The GSX-3000 Series is designed to provide maximum comfort for the professional truck and bus driver. Designed by suspension seat experts, using the latest technology in providing superior ergonomic comfort and orthopaedic support.

The GSX3000 range comes in a selection of trim finishes to suit driver requirements including leather, fabric or PVC. The GSX Diamond shown here, features luxury Black and Cirrus leather with a contrasting ivory white twin stitched seam and diamond pattern.

See your local CVG distributor for a demonstration and see how the GSX-3000 can make driving comfortably a reality.

ITEM NO.	FEATURE	DETAIL
1	Seat Angle Adjustment	-5° + 10° in 2.5° increments
2	Seat Cushion Extension	Up to 60mm in 10mm increments
3	Air Suspension with Memory	190mm suspension stroke
4	Express Lowering Valve	For easier seat ingress/egress
5	Adjustable Shock	Adjusts ride per occupant's preference
6	Height Adjustment	120mm
7	Back Angle	Up to 35° rearward recline
8/9	Lumbar Adjustment	Two adjustment zones (upper and lower)
10	Integrated Seat Belt	Meets ECE R-16 (N2 & N3)
11	Integrated Headrest	Pillow Type with neck support
12	Fore/Aft Adjustment	Up to 220mm in 10mm increments
13	Arm Rest	With 50° angle adjustment and 60mm length adjustment
14	Horizontal Isolator	RH version only
15	Heater Elements	12V seat and back
16	Driver Weight Range	50 - 150Kg
17	Seat Weight	39Kg

